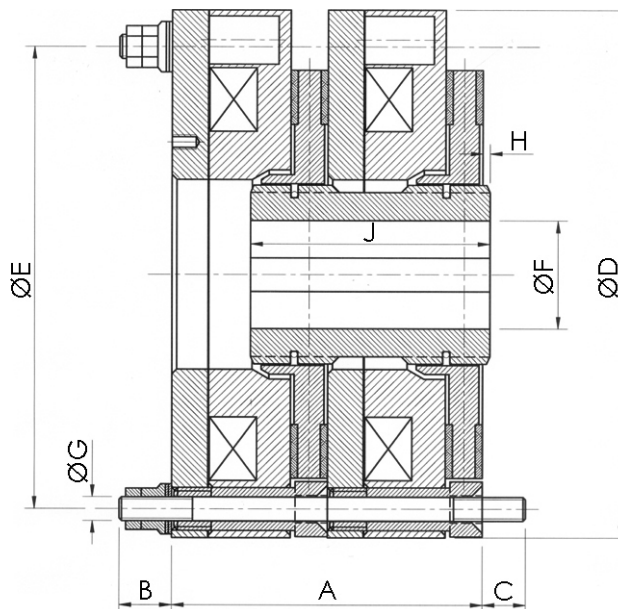


CIRCULAR BRAKES

D SECURITY BRAKES



D security brakes.Characteristics

| REFERENCE | ØD | A | B | C | E | ØF H7 | ØG | H | J | BRAKE TORQUE [Nm] | |
|-----------|-----|-------|----|----|-----|----------|--------|-----|-----|----------------------|---------------------|
| | | | | | | | | | | WITH OVEREXC. | WITHOUT OVEREXC. |
| D220.2 | 220 | 129,6 | 20 | 18 | 196 | 45 | 3x M10 | 2,5 | 100 | 2x 250 | 2x 170 |
| D265.2E | 265 | 129,6 | 25 | 20 | 230 | 45 | 3x M12 | 2,5 | 100 | 2x 330 | 2x 290 |
| D265.2 | 265 | 159,6 | 25 | 20 | 230 | 45 | 3x M12 | 2,5 | 115 | 2x 550 | 2x 400 |
| D295.2 | 295 | 186,7 | 33 | 24 | 264 | 60 | 3x M16 | 2,5 | 130 | 2x 900 | 2x 600 |

Airgap: 2x 0,3mm
Maximum airgap: 2x 0,6mm

Power supply: 48VDC, 110VDC, 205VDC, ...
Power supply with overexcitation: 207-103.5VDC 48-24VDC

